

Title Sheet:

UTILITY MAP

Revisions:

- A 04-29-20
- B 10-06-20
- C

Job No.:

Date: 10-06-2020

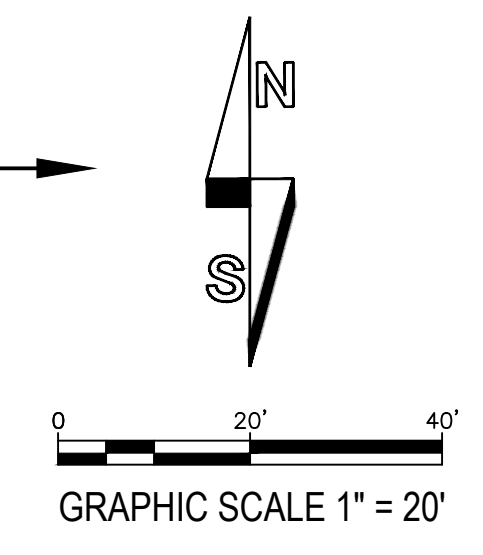
Scale:

Project:

UCR SOM EDUCATION BUILDING 2
 1223 University Avenue, Suite 240, Riverside CA 92521

Drawn by: I.M.R

Sheet No.: 4 of 7





P1

P2

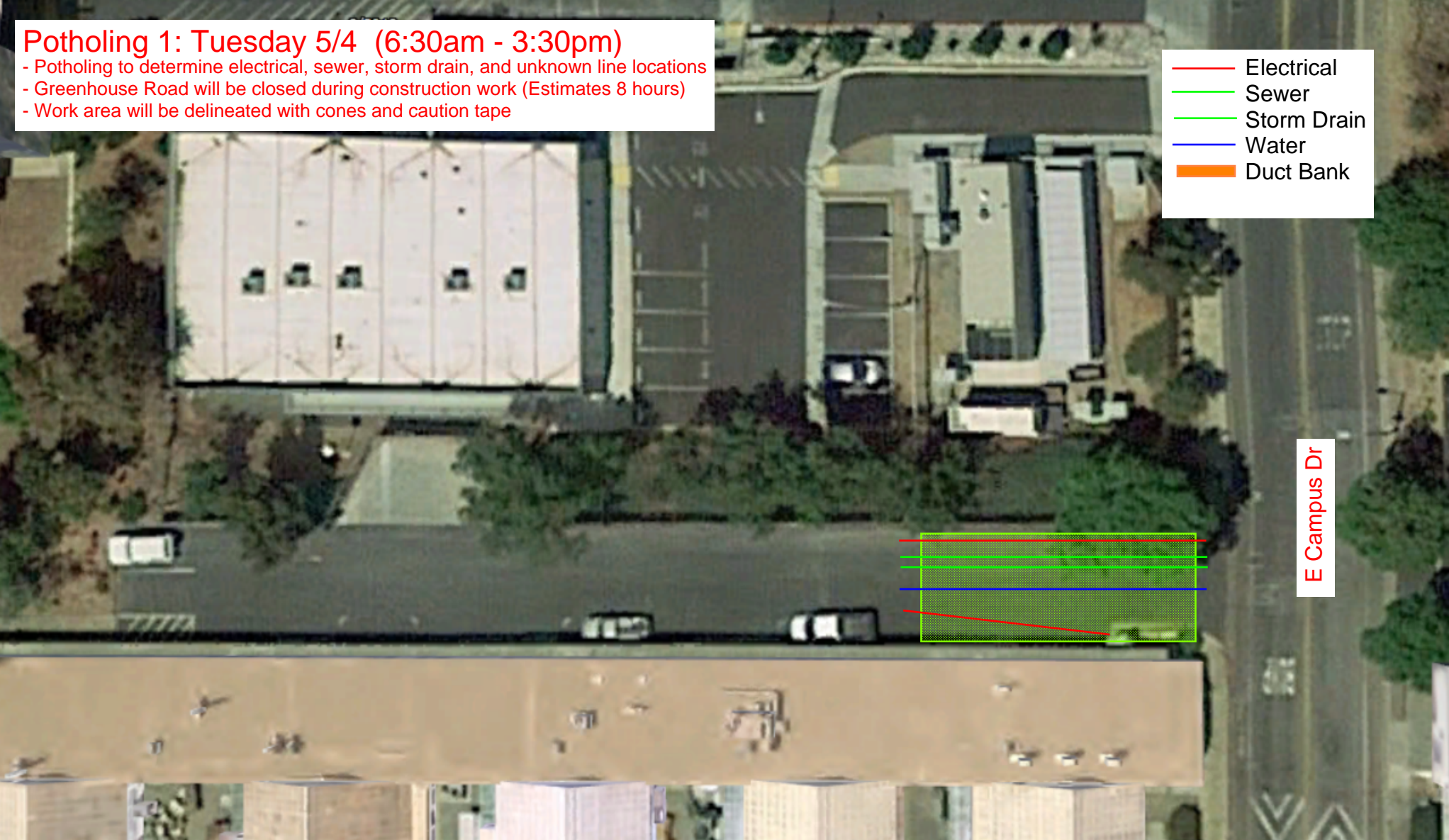
P3

Potholing 1: Tuesday 5/4 (6:30am - 3:30pm)

- Potholing to determine electrical, sewer, storm drain, and unknown line locations
- Greenhouse Road will be closed during construction work (Estimates 8 hours)
- Work area will be delineated with cones and caution tape

- Electrical
- Sewer
- Storm Drain
- Water
- Duct Bank

E Campus Dr



Potholing 2: Wednesday 5/5 (12:00 - 3:30pm)

- Potholing to determine electrical line location
- Modular parking will be closed during construction work (Estimate 3.5 hours)
- Modular access will be available for pedestrians though the ramp and stairs (Blue Lines)



E Campus Dr

- Electrical
- Sewer
- Storm Drain
- Water
- Duct Bank

Potholing 3: Wednesday 5/5 (6:30am - 12:00pm)

- Potholing to determine water, electrical and duct bank locations
- Loading Docks in the area will be open and accessible
- Pedestrian walkway and modular access ramp will be open (Blue Line)
- Five parking spots will be closed during operation (2 regular and 3 ADA)
- Work area will be delineated with cones and caution tape

- Electrical
- Sewer
- Storm Drain
- Water
- Duct Bank

20' Opening

E Campus Dr

